

# Series **NSCR700/SCR700**

## To handle live electric cable.

- Heavy-duty spring motor.
- Non-sparking ratchet.
- Declutching arbor.
- Consult factory for constant tension applications.
- 3-conductor, 45-amp, 600-volt collector assembly with #8 gauge wiring.
- Double brushes per circuit. Brushes are copper graphite with copper alloy rings.
- Additional conductors or higher amperage (up to 300-amps) available; consult factory.
- Silver collector available.
- Supplied with a 4-way roller assembly. Roller position must be specified.
- A cable stop should be used.
- For vertical lift, stretch, and/or crane installation, consult factory for proper spring specifications.



**Series  
NSCR700**  
Standard  
configuration shown



### Optional Swivel Mounting Bracket

Part No. 9908.9990.

For **N-Series** spring retractable reels, available as a kit. Conditions apply, consult factory.



**Series  
SCR700**  
Standard  
configuration shown

# Series NSCR700/SCR700

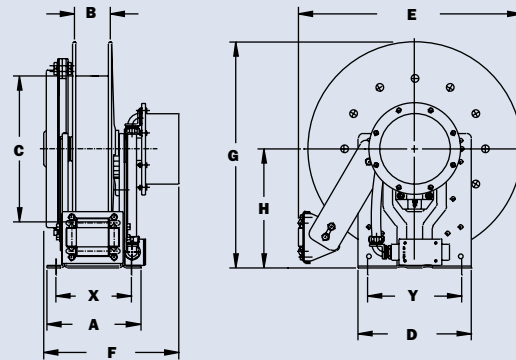
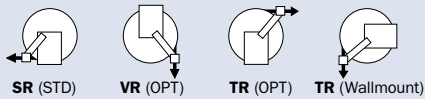
**PARTS DRAWING – SERIES NSCR700 – ISO 164; SERIES SCR700 – ISO 49**

Model Number	Cable Capacity of Reel feet m					Approx. Weight lb. kg		Roller Assy.	Reel Dimensions*** in. mm									
	Ga./No. of Conductors					NET	SHIP		A	B	C	D	E	F	G	H	X	Y
	O.D.in. mm	.53 14	.60 15	.69 18	.75 19													
NSCR715-14-16-8C	35	25	-	-	59	74	N203	9	3	8	12	17.62	13.75	16.12	9.12	7	10	
	11	8	-	-	27	34		229	76	203	305	448	349	409	232	178	254	
NSCR715-16-17C	40	35	-	-	62	77	N203	9	3	10.5	12	18.5	13.75	17	9.12	7	10	
	12	11	-	-	28	35		229	76	267	305	470	349	432	232	178	254	
NSCR715-19-20J	50	50	50	50	74	109	N204	9	3	10.5	12	20.75	13.75	20	10.62	7	10	
	15	15	15	15	34	49		229	76	267	305	527	349	508	270	178	254	
NSCR716-23-24B	75	75	75	75	99	134	N204	10	4	15.5	12	23.75	14.75	24	12.62	8	10	
	23	23	23	23	45	61		254	102	394	305	603	375	610	321	203	254	
NSCR716-23-24G	100	100	-	-	105	140	N204	10	4	15.5	12	23.75	14.75	24	12.62	8	10	
	30	30	-	-	48	64		254	102	394	305	603	375	610	321	203	254	
SCR715-19-20J	50	50	50	50	74	109	R204	8.25	3	10.5	18	19.5	15.25	19.75	10.38	3.5	15	
	15	15	15	15	34	49		210	76	267	457	495	387	502	264	89	381	
SCR716-23-24B	75	75	75	75	99	134	R204	9.25	4	15.5	23.25	24.38	16.25	23.88	12.5	4.5	20.25	
	23	23	23	23	45	61		235	102	394	591	619	413	607	318	114	514	
SCR716-23-24G	100	100	-	-	105	140	R204	9.25	4	15.5	23.25	24.38	16.25	23.88	12.5	4.5	20.25	
	30	30	-	-	48	64		235	102	394	591	619	413	607	318	114	514	
SCR716-30-31-20A	120	120	120	120	127	162	R204	9.25	4	20	28.5	29.62	17	31.38	17	4.5	25.25	
	37	37	37	37	58	73		235	102	508	724	752	432	797	432	114	641	

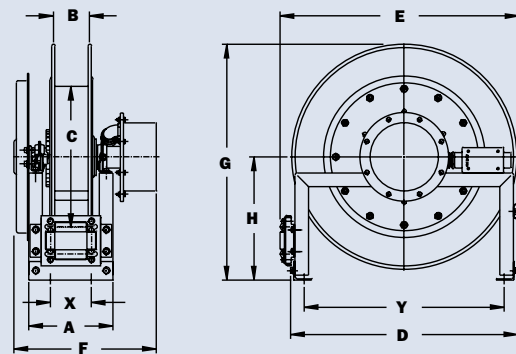
**Notes:**

- Specifications subject to change.
  - For reels with 4-conductor, 45-amp collector assemblies, add 2" to "F" dimension.
  - Reel models and capacities shown are for standard drag applications; for vertical lift applications, consult factory.
  - Other sizes from standard components available upon request.
  - Be sure to check dimensions and weights prior to ordering.**
  - Roller assembly is supplied on standard models.
- \*\*\*X, Y indicate mounting holes. See page 2.

**Available Roller Positions**



Series NSCR700



Series SCR700